

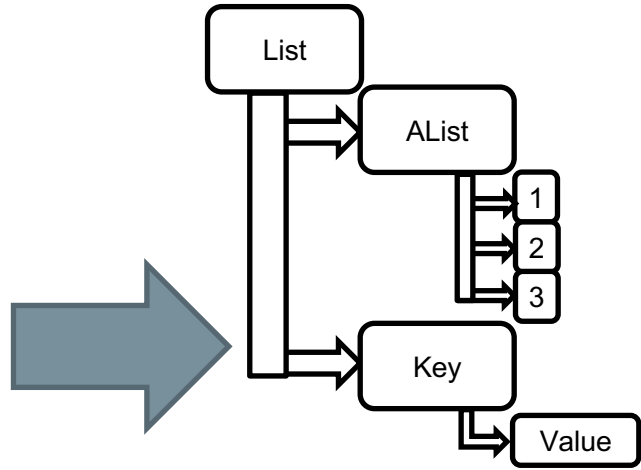
Recognising structural patterns in code

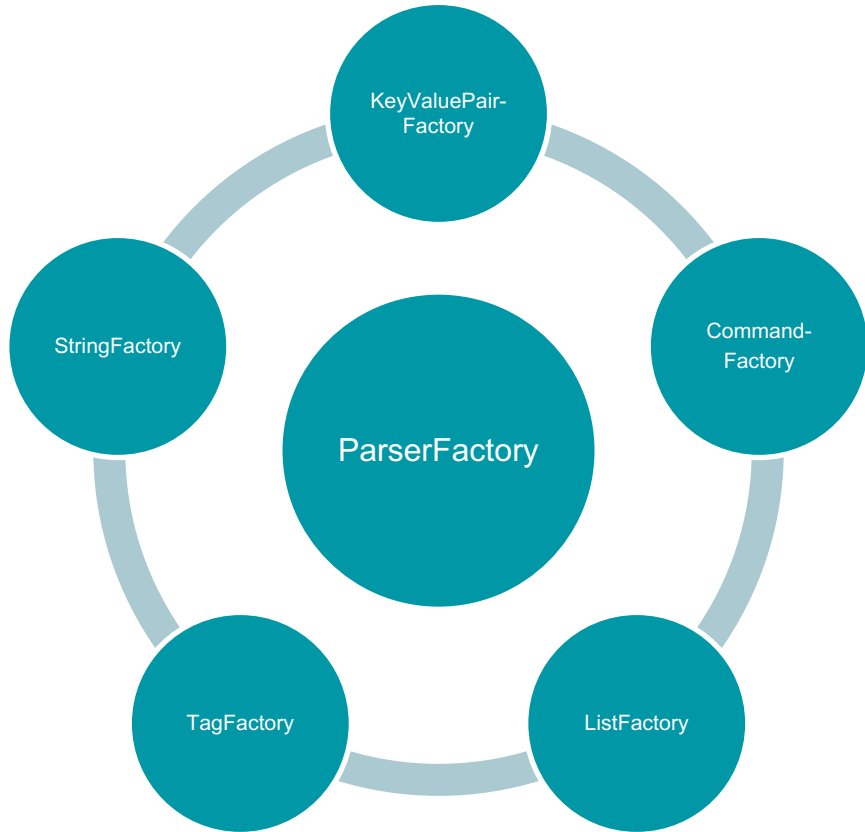
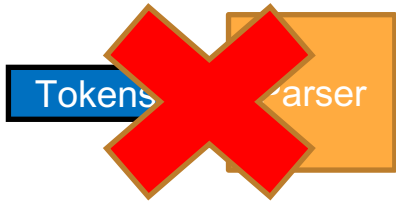
BSc project by Mathias Fuchs,

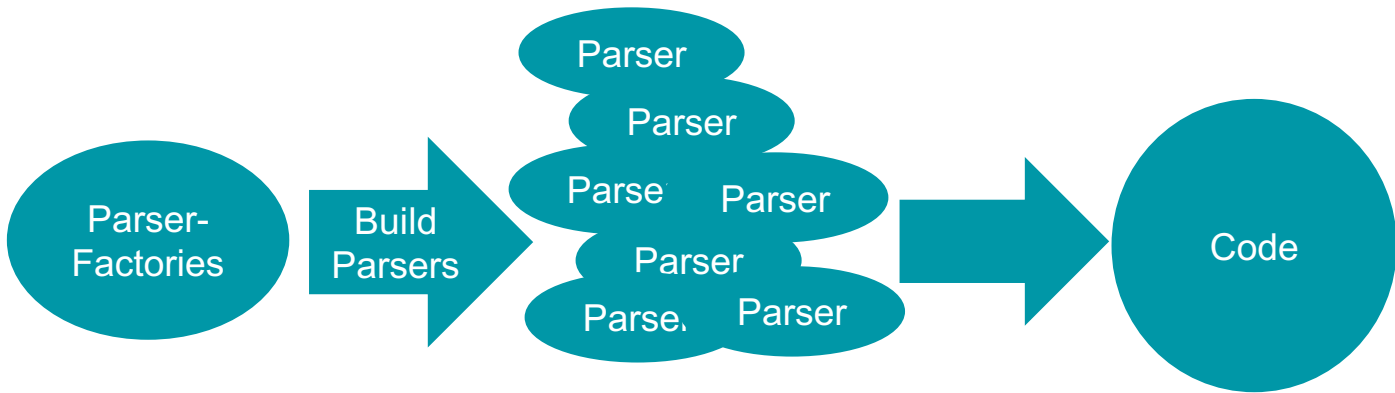
supervised by:

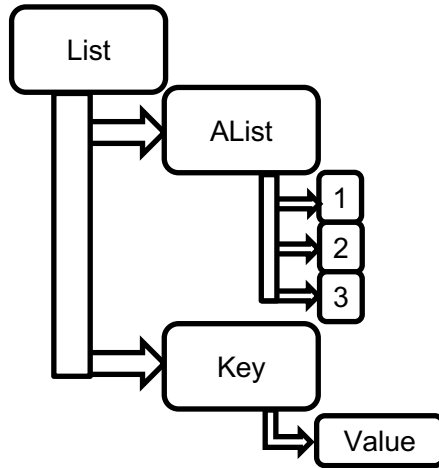
Haidar Osman and Jan Kurš

{
“AList”:[1,2,3],
“Key”: “value”
}









Demo

Experiment

Single parse	XML	JSON	CSS
precision	1	0.94	0.86
recall	1	0.94	0.84

Pair parse	XML	JSON	CSS
precision	1	0.8	0.86
recall	1	0.8	0.84

Water problem

Water

```
#red:target {
```

```
background: #111;
```

```
cursor: default; }
```


JSON pair parsing problem

```
[  
  {  
    "a": "b"  
  }  
]  
  
{  
  "key": ["a", "b"]  
}
```

File to parse

Base file

Questions?